

8 / 10 MVA,
13800 / 6900V
Power Transformer
By KS C IEC

www.hctr.co.kr



IEV

HAN CHANG TRANS

HAN CHANG TRANSFORMER

**8 / 10 MVA, 13800 Delta volts – 6900 Star volts,
POWER TRANSFORMER**

Technical Specification

Applicable standard	KS C IEC 60076-1
Final paint color	MUNSELL # 5Y-7/1
Insulating oil	Mineral Oil
Rated capacity	8 / 10 MVA
Phase/Rated frequency	3P / 60Hz
Rated voltage H.V	13.8kV Delta
Rated voltage L.V	6.9kV Star
Tap voltage	17 TAPS
Tap changing method	On-Load Tap Changer
Connection or polarity	Dyn11
Cooling method	ONAN / ONAF
Efficiency	99.403%

Size

Length	4300 mm
Width	3700 mm
Height	4000 mm

Weight

Oil	6140 liter
Total	26080 kg

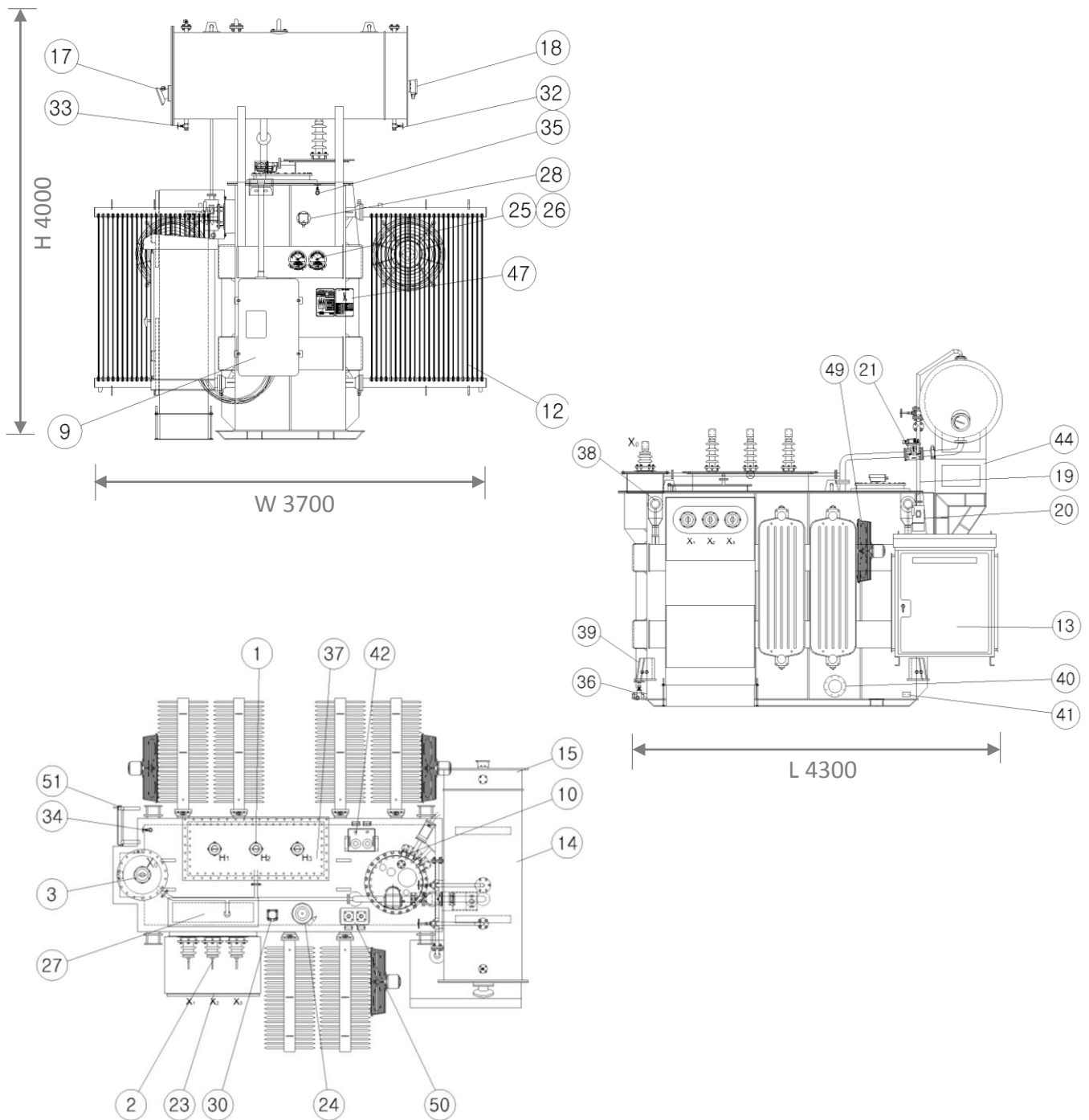
Core & Coil



HAN CHANG TRANSFORMER

8 / 10 MVA, 13800 Delta volts – 6900 Star volts, POWER TRANSFORMER

OUT LINE



HAN CHANG TRANSFORMER

8 / 10 MVA, 13800 Delta volts – 6900 Star volts,
POWER TRANSFORMER

PART LIST

NO	DESCRIPTION	NO	DESCRIPTION
1	HV BUSHING 95KV BIL	28	SUDDEN PRESSURE RELAY
2	LV BUSHING 60KV BIL	30	B.C.T TERMINAL BLOCK
3	LV.N BUSHING 60KV BIL	32	DRAIN VALVE FOR OLTC CONSERVATOR
9	MDU	33	DRAIN VALVE FOR CONSERVATOR
10	OLTC	34	VACUUM VALVE FOR MAIN TANK
12	RADIATOR	35	UPPER FILTER VALVE FOR MAIN TANK
13	LOCAL CONTROL PANEL	36	LOWER FILTER/SAMPLING/DRAIN VALVE FOR MAIN TANK
14	CONSERVATOR FOR MAIN TANK	37	LIFTING LUGS FOR COVER
15	CONSERVATOR FOR OLTC	38	LIFTING HOOK FOR MAIN TANK
17	OIL LEVEL GAUGE FOR MAIN TANK	39	JACKING PAD WITH PULLING EYE
18	OIL LEVEL GAUGE FOR OLTC	40	INSPECTION HOLE
19	PIPING FOR BREATHER	41	GROUNDING PAD
20	BREATHER WITH SILICAGEL	42	GROUNDING TERMINAL
21	BUCHHOLZ RELAY	44	CONSERVATOR SUPPORT
23	LV CABLE CHAMBER	47	NAMEPLATE
24	PRESSURE RELIEF DEVICE	49	COOLING FAN
25	OIL TEMPERATURE INDICATOR	50	TWO THERMOWELLS
26	WINDING TEMPERATURE INDICATOR	51	LADDER
27	MAN-HOLE		

HAN CHANG TRANSFORMER

8 / 10 MVA, 13800 Delta volts – 6900 Star volts,
POWER TRANSFORMER

Ref. Photos



INQUIRY

REPUBLIC OF KOREA

Mr. Michael Jang

michael@transformerprice.com

CHICAGO, IL, US

Mr. Lee Han

hanstar912@gmail.com

LONG BEACH, CA, US

Mr. Gary Roberts

gdr97504@gmail.com

Republic of Korea

1593-3 Songjung-dong,
Ganseo-gu, Busan

Phone: +82 51 831 3470

Fax: +82 51 831 3477

www.hctr.co.kr



© 2013 Hanchang Transformer co.,ltd. All rights reserved. The information in this publication is provided without any express or implied representation or warranty in relation to any contract which may be entered into. Hanchang shall not be responsible for any loss or damage of whatsoever nature [including consequential loss or damage] suffered or incurred, directly or indirectly, by the reader or any other person as a result of relying on the information contained in this publication.



Quality
ISO 9001
ISO 14001

HANCHANG TRANSFORMER CO., LTD.