

5000 kVA,
34500 / 4160V
Power Transformer
By ANSI

www.hctr.co.kr



HAN CHANG TRANSFORMER

**5000 kVA, 34500 Delta / 4160 Star volts,
POWER TRANSFORMER**

Technical Specification

Applicable standard	ANSI C57.12.00
Final paint color	MUNSELL # 5Y-7/1
Insulating oil	Mineral Oil
Rated capacity	5000 kVA
Phase/Rated frequency	3P / 60Hz
Rated voltage H.V	34500V Delta
Rated voltage L.V	4160V Star
Tap voltage	5 TAPS
Tap changing method	De-energized Tap Changer
Connection or polarity	Dyn1
Cooling method	ONAN(future fan)
Efficiency	99.23%

Size

Length	94.5 inch
Width	110.2 inch
Height	115.7 inch

Weight

Oil	988 gal
Total	31,085 lbs

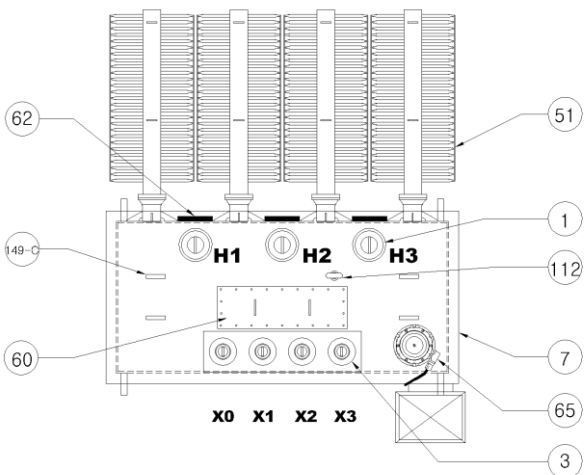
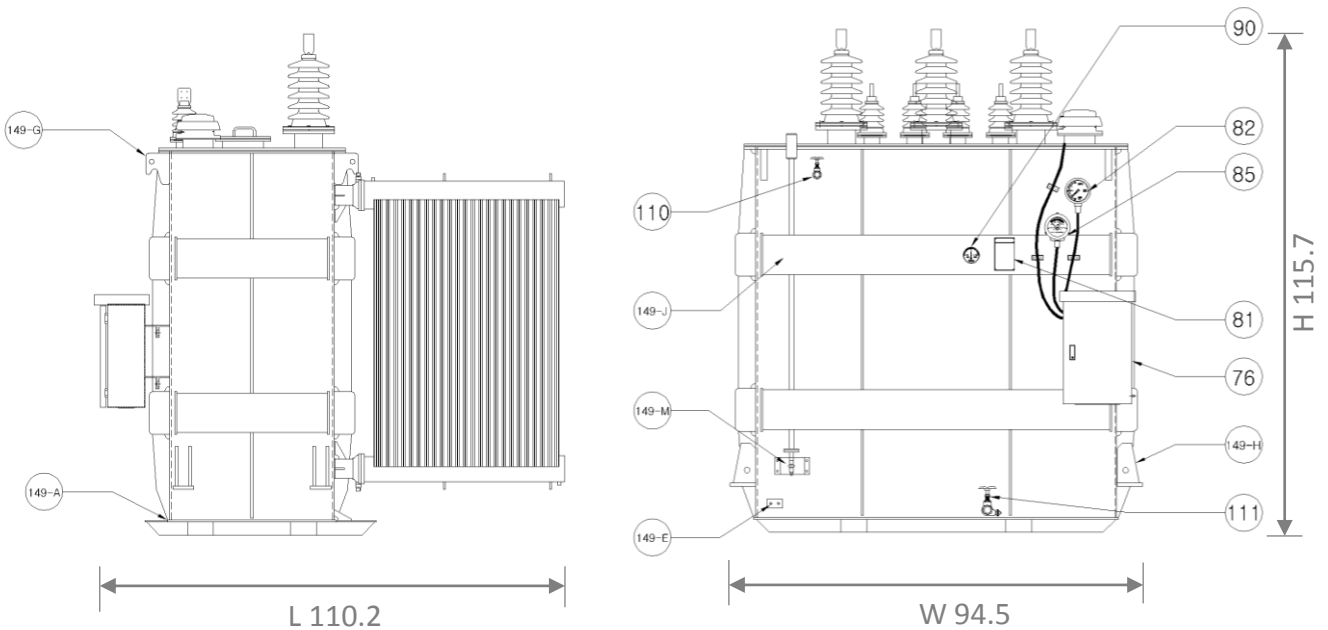
Core & Coil



HAN CHANG TRANSFORMER

**5000 kVA, 34500 Delta / 4160 Star volts,
POWER TRANSFORMER**

OUT LINE



NO	DESCRIPTION	NO	DESCRIPTION
1	HV BUSHING	90	PRESSURE VACCUM GAUGE
3	LV BUSHING	110	1" UPPER FILTER VALVE
7	COVER WELDED TO TANK	111	2" DRAIN VALVE WITH SAMPLING VALVE
51	RADIATORS	112	TAP CHANGER
60	LV HAND HOLE	149-E	BASE WELDED TO TANK
62	HV HAND HOLE	149-C	LIFT LOOPS
65	PRESSURE RELIEF DEVICE	149-E	GROUND PAD
76	MARSHALLING BOX	149-G	LIFTING LUG
81	NAME PLATE	149-H	JACKING PAD
82	LIQUID LEVEL INDICATOR	149-J	TANK BRACE
85	LIQUID TEMPERATURE INDICATOR	149-M	FITTING FOR ADDING NITROGEN OR DRY AIR TO GAS SPACE

HAN CHANG TRANSFORMER

5000 kVA, 34500 Delta / 4160 Star volts,
POWER TRANSFORMER

Ref. Photos



INQUIRY

REPUBLIC OF KOREA

Mr. Michael Jang

michael@transformerprice.com

CHICAGO, IL, US

Mr. Lee Han

hanstar912@gmail.com

LONG BEACH, CA, US

Mr. Gary Roberts

gdr97504@gmail.com

Republic of Korea

1593-3 Songjung-dong,

Ganseo-gu, Busan

Phone: +82 51 831 3470

Fax: +82 51 831 3477

www.hctr.co.kr



© 2013 Hanchang Transformer co.,ltd. All rights reserved. The information in this publication is provided without any express or implied representation or warranty in relation to any contract which may be entered into. Hanchang shall not be responsible for any loss or damage of whatsoever nature [including consequential loss or damage] suffered or incurred, directly or indirectly, by the reader or any other person as a result of relying on the information contained in this publication.



Quality
ISO 9001
ISO 14001

HCTR.CO.KR