

**500kVA
33000/433V
Distribution Transformer
By IEC**

www.hctr.co.kr



IEV
HAN CHANG TRANS

HAN CHANG TRANSFORMER

500kVA, 33000 Delta volts / 433 Star volts, DISTRIBUTION TRANSFORMER

Technical Specification

Applicable standard	IEC 60076-11
Final paint color	MUNSELL # 5Y-7/1
Insulating oil	Mineral Oil
Rated capacity	500 kVA (winding temp rise 55°C)
Phase/Rated frequency	3P / 50Hz
Rated voltage H.V	33000V Delta
Rated voltage L.V	433V Star
Tap voltage	5 TAPS
Tap changing method	De-energized Tap Changer
Connection or polarity	Dyn1
Cooling method	ONAN
Efficiency	99.02%

Size

Length	1800 mm
Width	1200 mm
Height	1650 mm

Features

- ✓ Compact Design
- ✓ Nameplate per IEC Requirement
- ✓ Standard Accessary

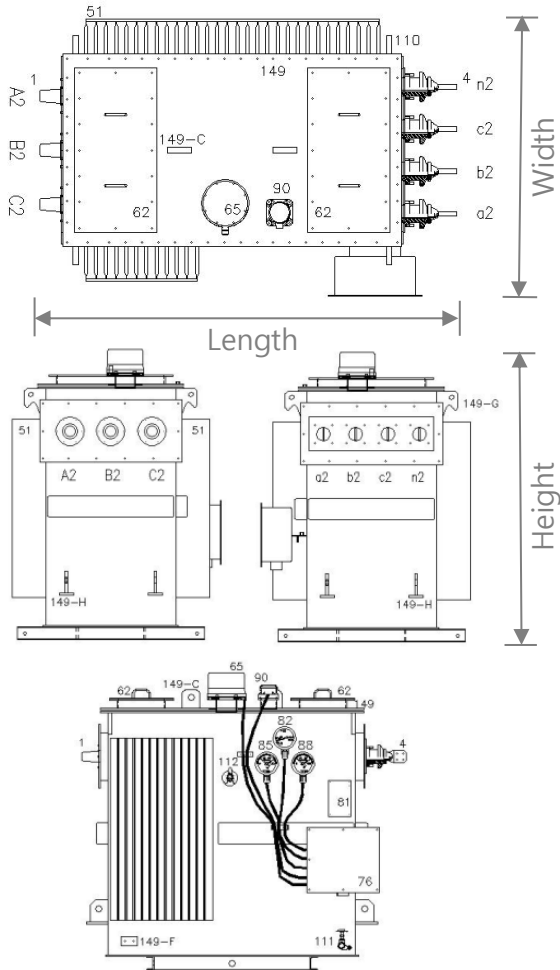
Weight

Oil	1020 liter
Total	2920 kg

HAN CHANG TRANSFORMER

500kVA, 33000 Delta volts / 433 Star volts, DISTRIBUTION TRANSFORMER

OUT LINE



REFERENCE PHOTOS



NO	DESCRIPTION	NO	DESCRIPTION	NO	DESCRIPTION
1	HV BUSHING	90	B.C.T BOX	81	NAMEPLATE
4	LV BUSHING	110	OIL FILL VALVE	82	LIQUID LEVEL INDICATOR
51	RADIATORS	111	DRAIN VALVE WITH SAMPLING DEVICE	85	LIQUID TEMPERATURE INDICATOR
62	HAND HOLE	112	DE-ENERGIZED TAP CHANGER	88	WINDING TEMPERATURE INDICATOR
65	PRESSURE RELIEF DEVICE	149	TANK AND COVER ASSEMBLY	149-C	LIFT HOOKS
76	MARSHALLING BOX	149-A	BASE WELDED TO TANK	149-F	GROUND PAD ON TANK WALL
149-G	LIFTING LUGS	149-H	COMBINATION JACKING AND PULLING LUG FOR COMPLETE UNIT		

INQUIRY

REPUBLIC OF KOREA

Mr. Michael Jang

michael@transformerprice.com

CHICAGO, IL, US

Mr. Lee Han

hanstar912@gmail.com

LONG BEACH, CA, US

Mr. Gary Roberts

gdr97504@gmail.com

Republic of Korea

1593-3 Songjung-dong,
Ganseong-gu, Busan

Phone: +82 51 831 3470

Fax: +82 51 831 3477

www.hctr.co.kr



© 2013 Hanchang Transformer co.,ltd. All rights reserved. The information in this publication is provided without any express or implied representation or warranty in relation to any contract which may be entered into. Hanchang shall not be responsible for any loss or damage of whatsoever nature [including consequential loss or damage] suffered or incurred, directly or indirectly, by the reader or any other person as a result of relying on the information contained in this publication.



Quality
ISO 9001
ISO 14001

HCTR.CO.KR