

4 / 5 MVA,
34500 / 4160V
Distribution Transformer
By ANSI

www.hctr.co.kr



HAN CHANG TRANSFORMER

**4 / 5 MVA, 13800 Star / 4160 Delta volts,
DISTRIBUTION TRANSFORMER**

Technical Specification

Applicable standard	ANSI C57.12.00
Final paint color	ANSI 61 LIGHT GRAY
Insulating oil	Mineral Oil
Rated capacity	4 / 5 MVA
Phase/Rated frequency	3P / 60Hz
Rated voltage H.V	13800V Star
Rated voltage L.V	4160V Delta
Tap voltage	5 TAPS
Tap changing method	De-energized Tap Changer
Connection or polarity	YNd1
Cooling method	ONAN / ONAF
Efficiency	99.16%

Size

Length	106.3 inch
Width	130.0 inch
Height	82.8 inch

Weight

Oil	420 gal
Total	19,224 lbs

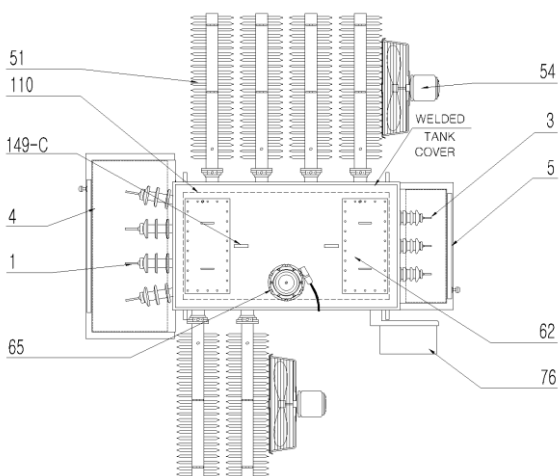
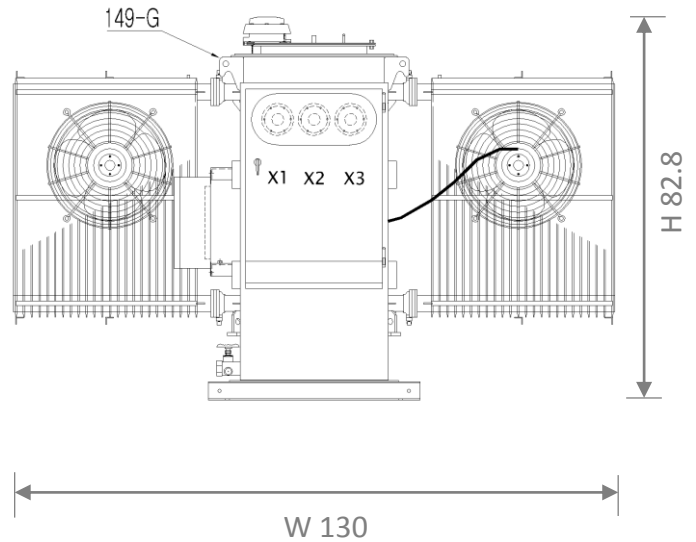
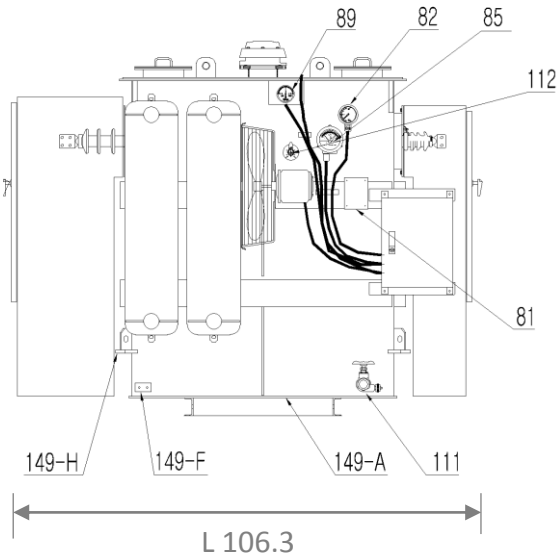
Core & Coil



HAN CHANG TRANSFORMER

**4 / 5 MVA, 13800 Star / 4160 Delta volts,
DISTRIBUTION TRANSFORMER**

OUT LINE



NO	DESCRIPTION	NO	DESCRIPTION
1	HV BUSHING	90	PRESSURE VACCUM GAUGE
3	LV BUSHING	110	1" UPPER FILTER VALVE
7	COVER WELDED TO TANK	111	2" DRAIN VALVE WITH SAMPLING VALVE
51	RADIATORS	112	TAP CHANGER
60	LV HAND HOLE	149-E	BASE WELDED TO TANK
62	HV HAND HOLE	149-C	LIFT LOOPS
65	PRESSURE RELIEF DEVICE	149-E	GROUND PAD
76	MARSHALLING BOX	149-G	LIFTING LUG
81	NAME PLATE	149-H	JACKING PAD
82	LIQUID LEVEL INDICATOR	149-J	TANK BRACE
85	LIQUID TEMPERATURE INDICATOR	149-M	FITTING FOR ADDING NITROGEN OR DRY AIR TO GAS SPACE

HAN CHANG TRANSFORMER

4 / 5 MVA, 13800 Star / 4160 Delta volts,
DISTRIBUTION TRANSFORMER

Ref. Photos



INQUIRY

REPUBLIC OF KOREA

Mr. Michael Jang

michael@transformerprice.com

CHICAGO, IL, US

Mr. Lee Han

hanstar912@gmail.com

LONG BEACH, CA, US

Mr. Gary Roberts

gdr97504@gmail.com

Republic of Korea

1593-3 Songjung-dong,

Ganseo-gu, Busan

Phone: +82 51 831 3470

Fax: +82 51 831 3477

www.hctr.co.kr



© 2013 Hanchang Transformer co.,ltd. All rights reserved. The information in this publication is provided without any express or implied representation or warranty in relation to any contract which may be entered into. Hanchang shall not be responsible for any loss or damage of whatsoever nature [including consequential loss or damage] suffered or incurred, directly or indirectly, by the reader or any other person as a result of relying on the information contained in this publication.



Quality
ISO 9001
ISO 14001

HCTR.CO.KR