



3/4MVA

4160/480-277V

Distribution Transformer

By ANSI

www.hctr.co.kr

HAN CHANG TRANSFORMER

3/4MVA, 4160 Delta volts / 480-277 Star volts, DISTRIBUTION TRANSFORMER

Technical Specification

Applicable standard	ANSI C57.12.00
Final paint color	MUNSELL # 5Y-7/1
Insulating oil	Mineral Oil
Rated capacity	3/4 MVA (winding temp rise 65°C)
Phase/Rated frequency	3P / 60Hz
Rated voltage H.V	4160V Delta
Rated voltage L.V	480/277V Star
Tap voltage	5 TAPS
Tap changing method	De-energized Tap Changer
Connection or polarity	Dyn1
Cooling method	ONAN/ONAF
Efficiency	99.11%

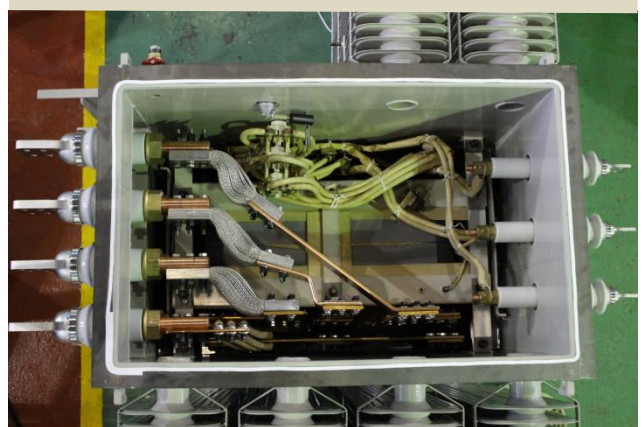
Size

Length	2100 mm
Width	2800 mm
Height	2080 mm

Weight

Oil	1245 liter
Total	7010 kg

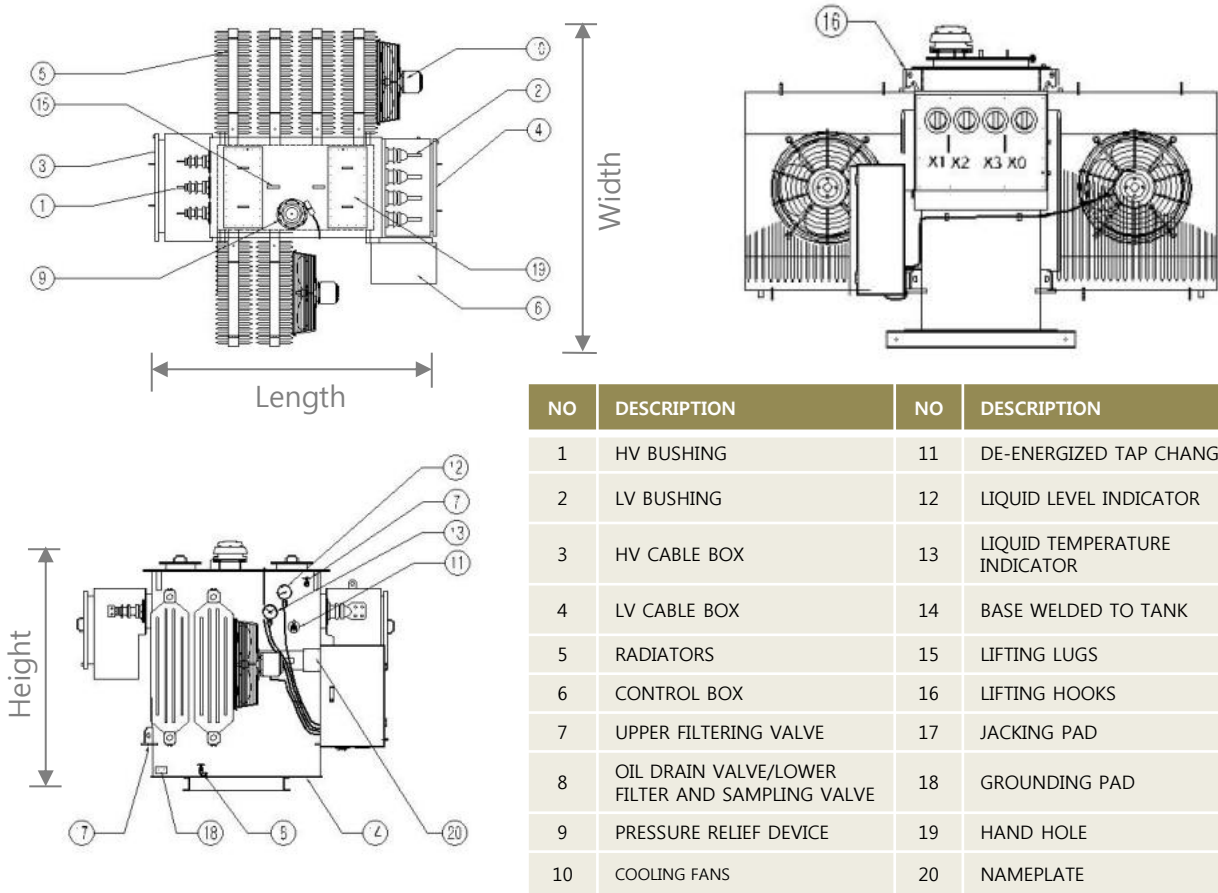
Core & Coil



HAN CHANG TRANSFORMER

3/4MVA, 4160 Delta volts / 480-277 Star volts,
DISTRIBUTION TRANSFORMER

OUT LINE



REFERENCE PHOTOS



INQUIRY

REPUBLIC OF KOREA

Mr. Michael Jang

michael@transformerprice.com

CHICAGO, IL, US

Mr. Lee Han

hanstar912@gmail.com

LONG BEACH, CA, US

Mr. Gary Roberts

gdr97504@gmail.com

Republic of Korea

1593-3 Songjung-dong,
Ganseong-gu, Busan

Phone: +82 51 831 3470

Fax: +82 51 831 3477

www.hctr.co.kr



© 2013 Hanchang Transformer co.,ltd. All rights reserved. The information in this publication is provided without any express or implied representation or warranty in relation to any contract which may be entered into. Hanchang shall not be responsible for any loss or damage of whatsoever nature [including consequential loss or damage] suffered or incurred, directly or indirectly, by the reader or any other person as a result of relying on the information contained in this publication.



Quality
ISO 9001
ISO 14001

TRANSFORMERPRICE