

**18 / 24 MVA,
13800 / 6900V
Power Transformer
By IEC**

www.hctr.co.kr

IEV
HAN CHANG



HAN CHANG TRANSFORMER

**18 / 24 MVA, 13800 Delta volts – 6900 Star volts,
POWER TRANSFORMER**

Technical Specification

Applicable standard	IEC 60076
Final paint color	Munsell #5Y 7/1
Insulating oil	Mineral Oil
Rated capacity	18 / 24 MVA
Phase/Rated frequency	3P / 60Hz
Rated voltage H.V	13.8kV Delta
Rated voltage L.V	6900V Star
Tap voltage	17 TAPS
Tap changing method	On-Load Tap Changer
Connection or polarity	Dyn11
Cooling method	ONAN (ONAF)
Efficiency	99.25%

Size

Length	4900 cm
Width	3770 cm
Height	3200 cm

Weight

Oil	8900 kg
Total	29200 kg

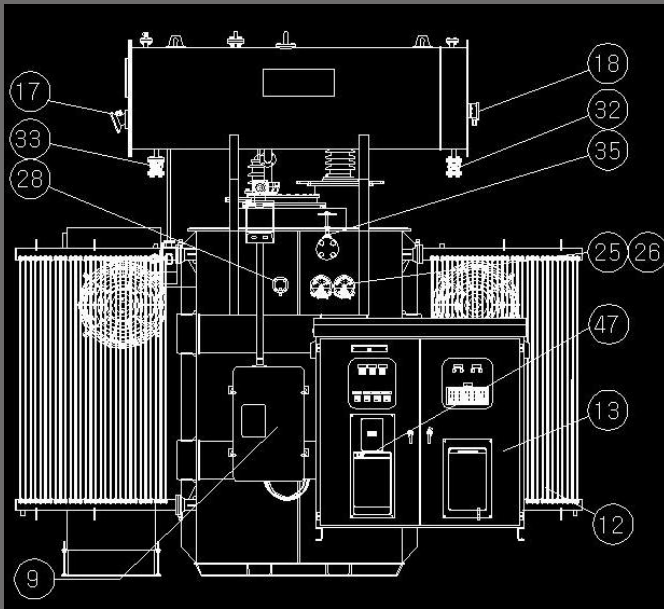
Core & Coil



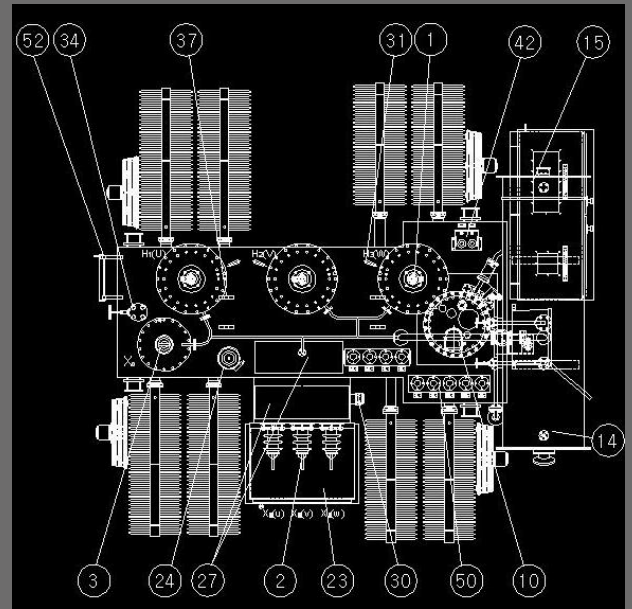
HAN CHANG TRANSFORMER

18 / 24 MVA, 13800 Delta volts – 6900 Star volts, POWER TRANSFORMER

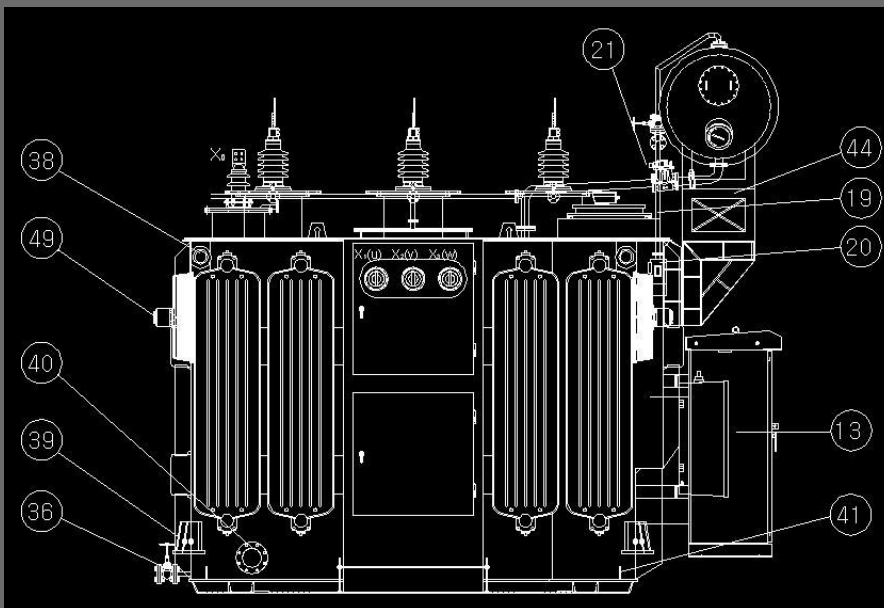
OUT LINE



W 3770 cm



L 4900 cm



H 3200 cm

HAN CHANG TRANSFORMER

**18 / 24 MVA, 13800 Delta volts – 6900 Star volts,
POWER TRANSFORMER**

PART LIST

NO	DESCRIPTION	NO	DESCRIPTION
1	H.V BUSHING, 95KV BIL 3-TOTAL	28	SUDDEN PRESSURE RELAY
2	L.V BUSHING 75KV BIL 4-TOTAL	30	B.C.T TERMINAL BLOCK
3	L.V.N BUSHING 75KV BIL	31	IPB GROUNDING TAP
9	M.D.U	32	DRAIN VALVE FOR OLTC CONSERVATOR
10	OLTC	33	DRAIN VALVE FOR CONSERVATOR
12	RADIATOR	34	VACUUM VALVE FOR MAIN TANK
13	LOCAL CONTROL PANEL	35	UPPER FILTER VALVE FOR MAIN TANK
14	CONSERVATOR FOR MAIN TANK	36	LOWER FILTER/SAMPLING/DRAIN VALVE FOR MAIN TANK
15	CONSERVATOR FOR OLTC	37	LIFTING LUGS FOR COVER
17	OIL LEVEL GAUGE FOR MAIN TANK	38	LIFTING HOOK FOR MAIN TANK
18	OIL LEVEL GAUGE FOR OLTC	39	JACKING PAD WITH PULLING EYE
19	PIPING FOR BREATHER(MAIN CONSERVATOR)	40	INSPECTION HOLE
20	BREATHER WITH SILICAGEL(MAIN CONSERVATOR)	41	GROUNDING PAD
21	BUCHHOLZ RELAY	42	GROUNDING TERMINAL
23	LV CABLE CHAMBER	44	CONSERVATOR SUPPORT
24	PRESSURE RELIEF DEVICE	47	NAMEPLATE
25	OIL TEMPERATURE INDICATOR	49	COOLING FAN
26	WINDING TEMPERATURE INDICATOR	50	THERMOWELLS
27	MAN-HOLE	52	LADDER

HAN CHANG TRANSFORMER

18 / 24 MVA, 13800 Delta volts – 6900 Star volts,
POWER TRANSFORMER

REFERENCE PHOTOS



INQUIRY

REPUBLIC OF KOREA

Mr. Michael Jang

michael@transformerprice.com

CHICAGO, IL, US

Mr. Lee Han

hanstar912@gmail.com

LONG BEACH, CA, US

Mr. Gary Roberts

gdr97504@gmail.com

Republic of Korea

1593-3 Songjung-dong,

Ganseo-gu, Busan

Phone: +82 51 831 3470

Fax: +82 51 831 3477

www.hctr.co.kr



© 2013 IEN HANCHANG CO LTD All rights reserved. The information in this publication is provided without any express or implied representation or warranty in relation to any contract which may be entered into. IEN HANCHANG shall not be responsible for any loss or damage of whatsoever nature [including consequential loss or damage] suffered or incurred, directly or indirectly, by the reader or any other person as a result of relying on the information contained in this publication.



Quality
ISO 9001
ISO 14001

HCTR
K
O
C
T
R
I
C
O
R
P
O
R
A
T
I
O
N